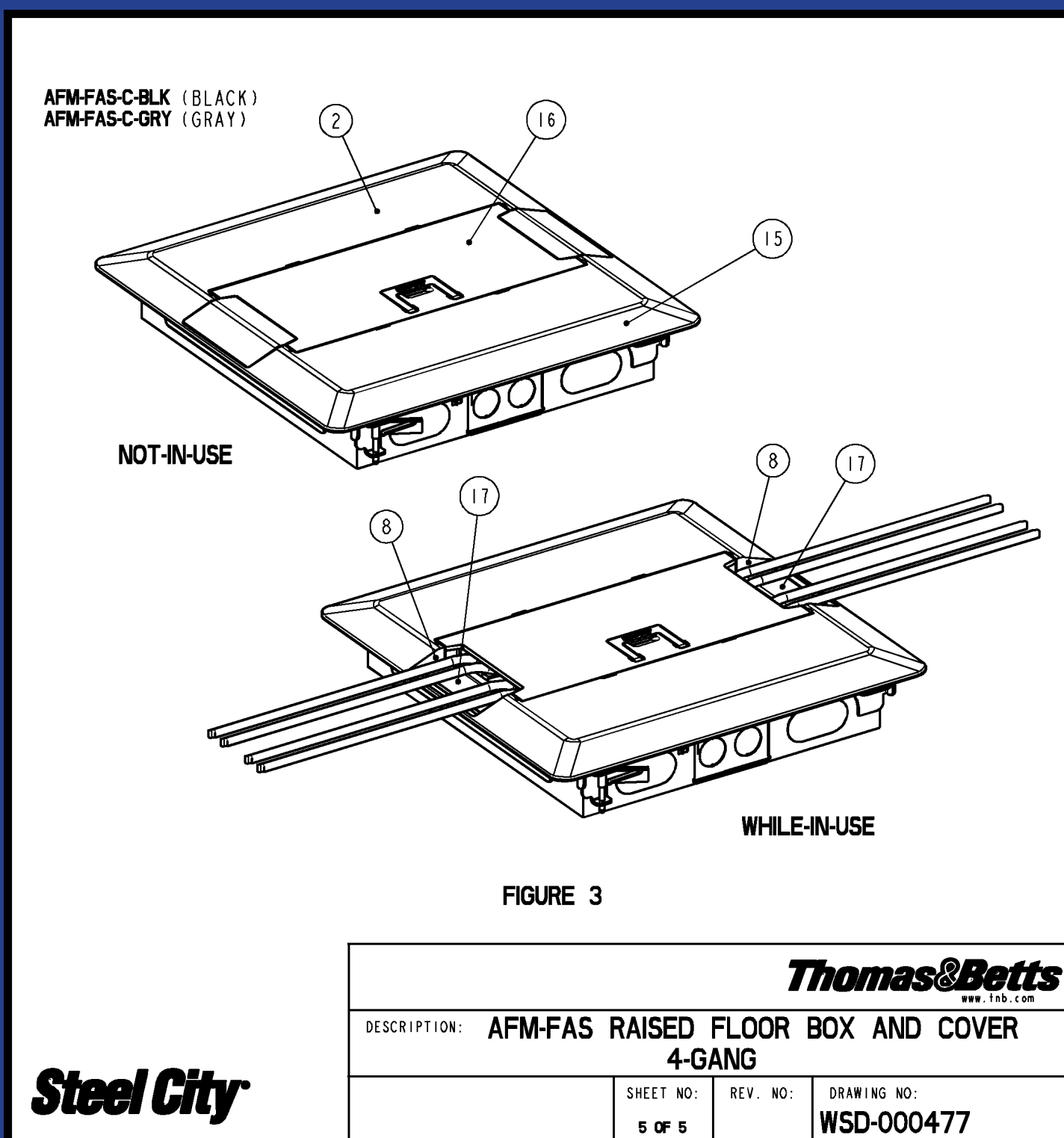


**FreeAxez USA and Thomas & Betts**  
*are proud to introduce ...*

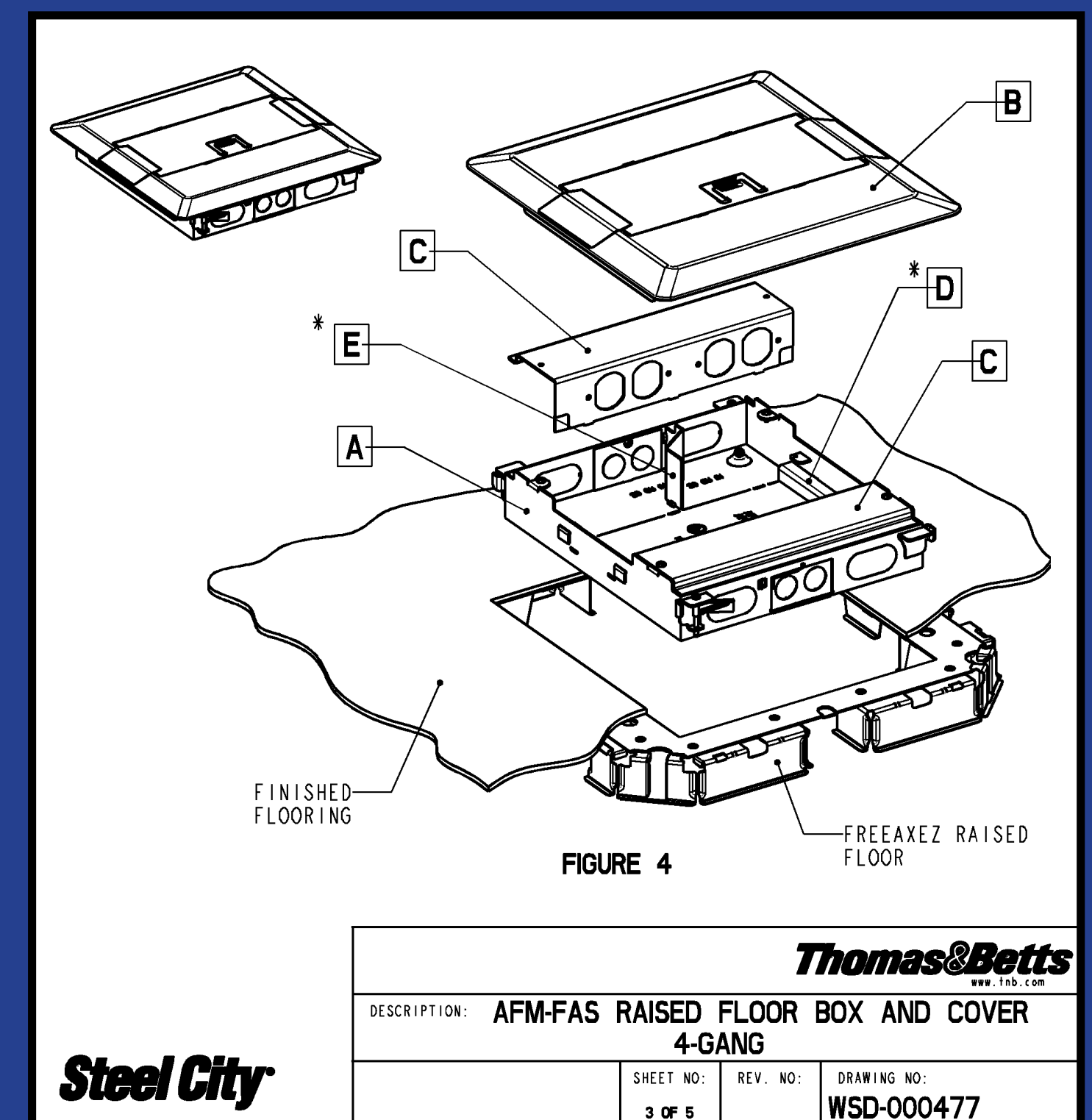
**NEW  
PRODUCT!**

**NEW  
PRODUCT!**

**Ultra-Shallow Power / Voice / Data Floor Box  
FA-40 1.6" Access Flooring System**



- Lowest solution in North America!
- Beats the competition by almost 1"!
- No other floor below 2.5"!
- Minimize ramps! Great for offices and conference rooms!
- Perfect for K-12 schools!
- Our clients have been asking for this solution for years!
- Let your customers know about this 'Powerful Capability' for StarNet and FreeAxez!



- Ultra-shallow box fits FreeAxez FA-40 floor panel.
- Rigid poly-carbonate covers are available in black or gray color.
- All-metal construction box.
- For 3/16" to 3/4" thick finished floors.
- Made in the USA.

- Access cover can be installed quickly on either side of the cover, which eliminates the need for removing the cover-flange.
- Low profile for cord aperture allows cords to exit floor box from the sloped side of the cover flange. This feature along with the elimination of exposed cord doors significantly reduce the chances of a trip hazard.
- Floor box and cover are UL listed and CSA certified.
- For raised floor applications only.