

PRODUCT CATALOG



Standard Components

- 1 Base Unit
- 2 Corner Plate
- 3 Channel Plate
- 4 Undersheet

Border Components

- 5 Half Unit
- 6 Half Channel
- 7 L-Type Border
- 8 End Cover
- 9 Reinforcing Band
- 10 Trapezoid Plate
- 11 L-Type Trapezoid Plate

Optional Components

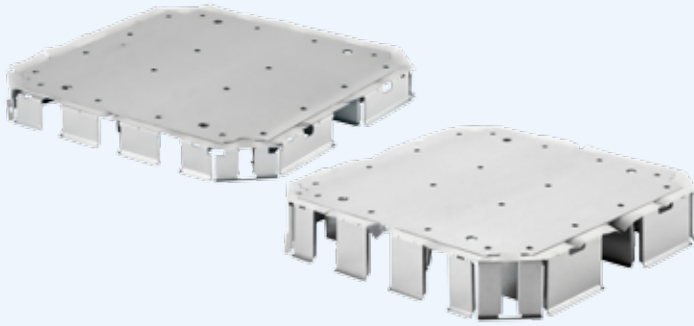
- 12 Power/Voice/Data Box
- 13 Ramp
- 14 Frame

AVAILABLE IN TWO HEIGHTS:

FreeAxéz 40 is 1.6" tall (40mm) | FreeAxéz 70 is 2.75" tall (70mm)

Standard Components

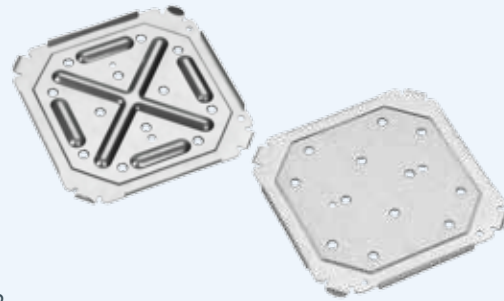
Base Unit



FA-4001
14.6" x 14.6" x 1.6"
(370mm x 370mm x 40mm)

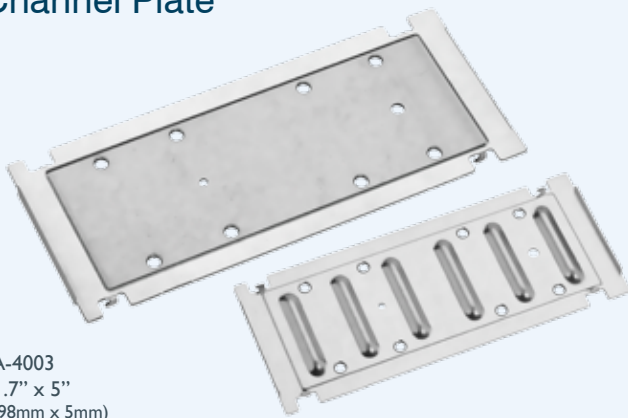
FA-7001
14.6" x 14.6" x 2.75"
(370mm x 370mm x 70mm)

Corner Plate



FA-4002
7.8" x 7.8"
(198mm x 198mm)

Channel Plate



FA-4003
11.7" x 5"
(298mm x 5mm)

Undersheet

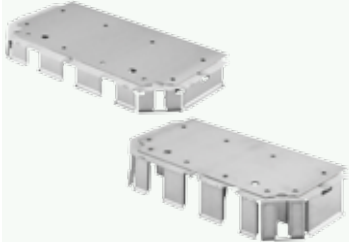


FA-4036
3.5ft x 300ft

FA-4096
3.5ft x 900ft

Border Components

Half Unit



FA-4101: 7.3" x 14.6" x 1.6"
(185mm x 370mm x 40mm)

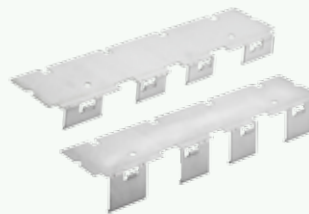
FA-7101: 7.3" x 14.6" x 2.75"
(185mm x 370mm x 70mm)

Half Channel



FA-4102
5.9" x 5"
(149mm x 126mm)

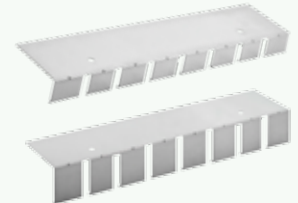
L-Type Border



FA-4103: 20" x 4.5" x 1.6"
(500mm x 115mm x 40mm)

FA-7103: 20" x 4.5" x 2.75"
(500mm x 115mm x 70mm)

End Cover



FA-4104: 20" x 4.5" x 1.6"
(500mm x 115mm x 40mm)

FA-7104: 20" x 4.5" x 2.75"
(500mm x 115mm x 70mm)

Reinforcing Band



FA-4105: 1.1" x 14.6" x 1.5"
(28mm x 370mm x 38mm)

FA-7105: 1.1" x 14.6" x 2.68"
(28mm x 370mm x 68mm)

Trapezoid Plate



FA-4106
1.4" x 8"
(35mm x 200mm)

L-Type Trapezoid Plate



FA-4107
8" x 8"
(200mm x 200mm)



Optional Components

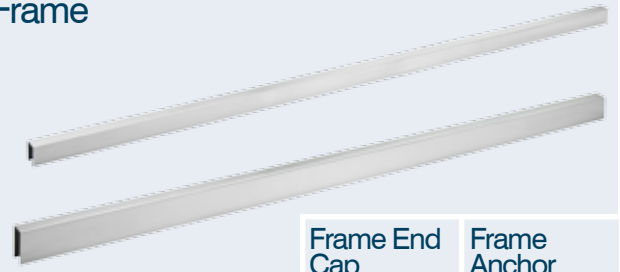
Power/Voice/Data Box



FA-40: 1.6" (40mm)
The Steel City AMF-FAS
Ultra-Shallow Power Voice Data
Floor Box

FA-70
FreeAxez 70 can accommodate any
box to meet your needs

Frame



FA-4206: 1.2" x 79" x 1.9"
(30mm x 2000mm x 50mm)

FA-7206: 1.2" x 79" x 3.15"
(30mm x 2000mm x 80mm)

Frame End Cap



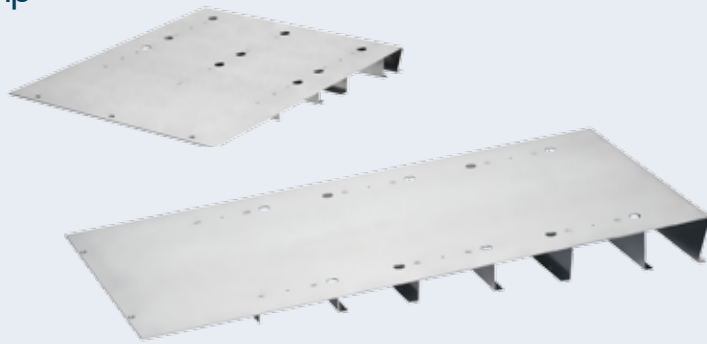
FA-4209
FA-7209

Frame Anchor



FA-4205

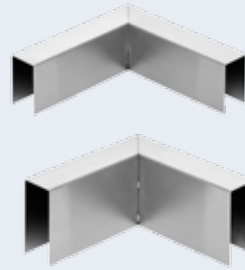
Ramp



FA-4419: 16" x 19" x 1.6"
(483mm x 483mm x 40mm)

FA-7433: 33" x 33" x 2.75"
(840mm x 840mm x 70mm)

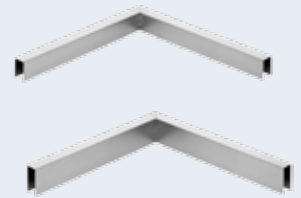
Frame Corner L150 (used at corner joint)



FA-4207: 6" x 6" x 1.9"
(150mm x 150mm x 48mm)

FA-7207: 6" x 6" x 3.15"
(150mm x 150mm x 80mm)

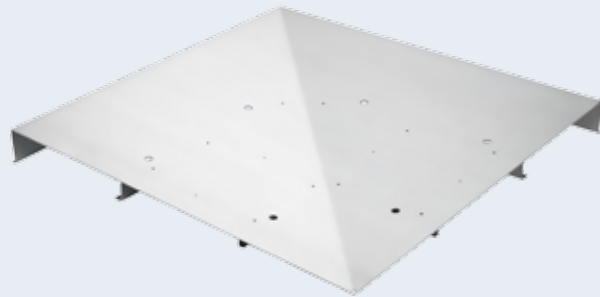
Frame Corner L500 (used at corner joint)



FA-4208: 16" x 16" x 1.9"
(400mm x 400mm x 48mm)

FA-7208: 16" x 16" x 3.15"
(400mm x 400mm x 80mm)

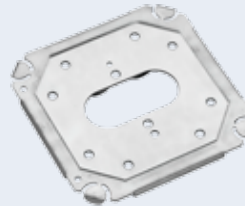
Internal Angle Ramp



FA-4419in: 19" x 19" x 1.6"
(483mm x 483mm x 40mm)

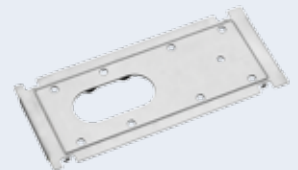
FA-7433in: 33" x 33" x 2.75"
(840mm x 840mm x 70mm)

Wiring Outlet Corner Plate



FA-4214: 7.8" x 7.8"
(198mm x 198mm)

Wiring Outlet Channel Plate



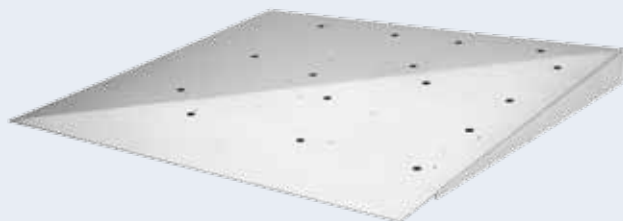
FA-4215: 11.7" x 5"
(298mm x 5mm)

Wiring Outlet Insert



FA-4216

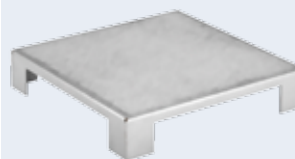
External Angle Ramp



FA-4419ex: 19" x 19" x 1.6"
(483mm x 483mm x 40mm)

FA-7433ex: 33" x 33" x 2.75"
(840mm x 840mm x 70mm)

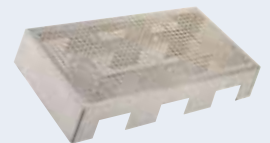
Outlet Cover



FA-4212: 14" x 14" x 1.6"
(350mm x 350mm x 40mm)

FA-7212: 14" x 14" x 2.75"
(350mm x 350mm x 70mm)

Air Vent Louver

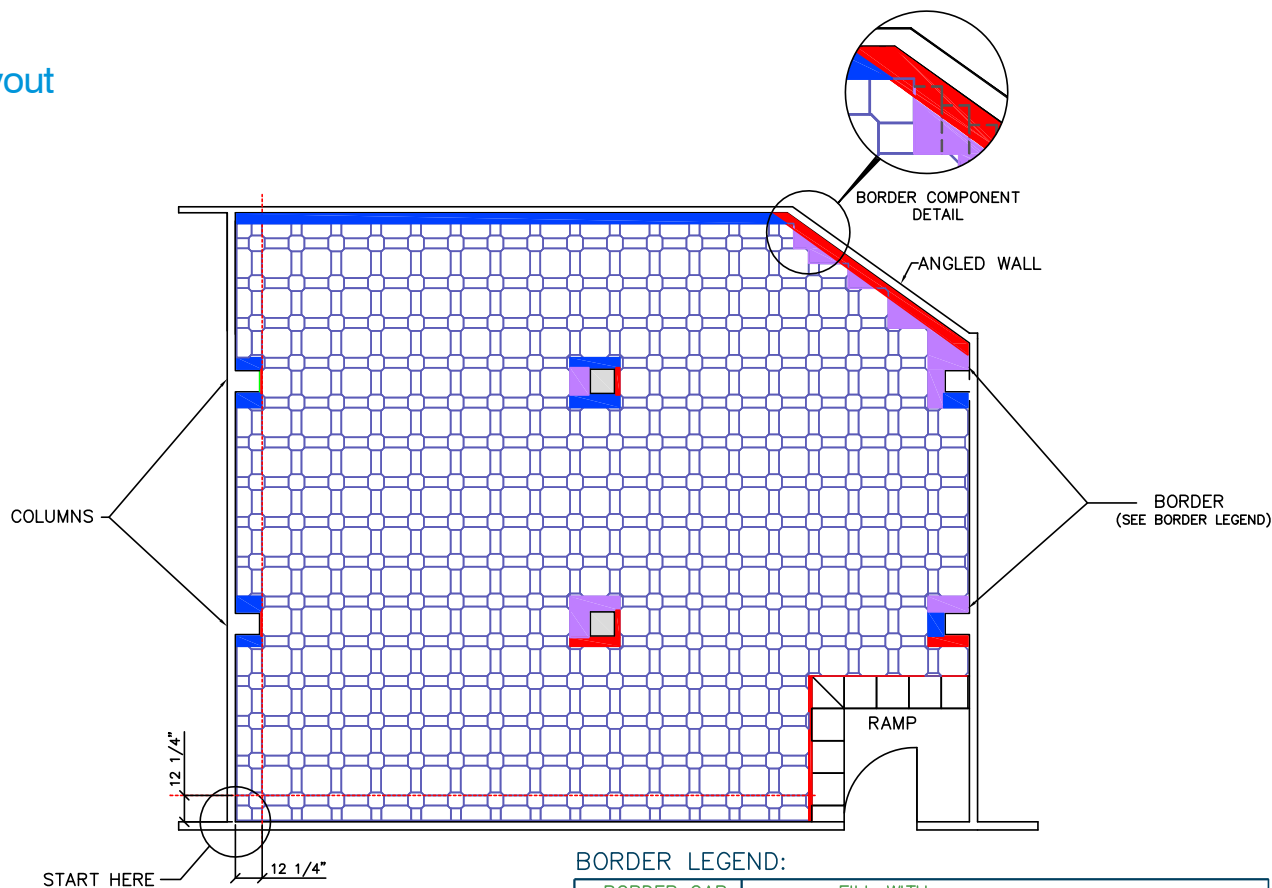


FA-4210: 20" x 10" x 1.9"
(500mm x 250mm x 50mm)

FA-7210: 20" x 10" x 3.15"
(500mm x 250mm x 80mm)

STANDARD INSTALLATION DRAWINGS

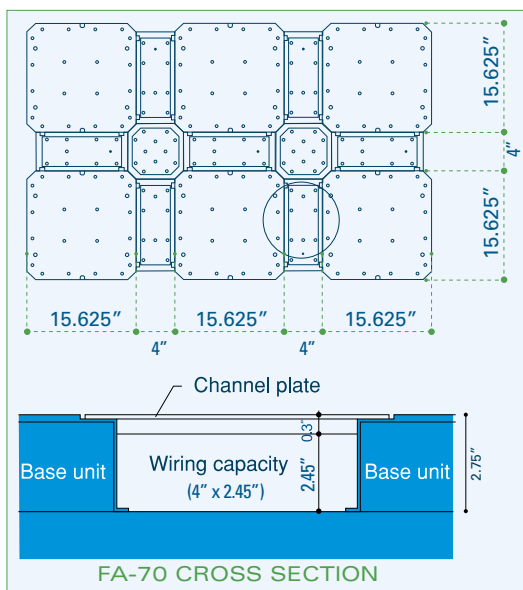
Layout



BORDER LEGEND:

BORDER GAP	FILL WITH
A	END COVER + REINFORCING BAND
B	L-TYPE
C	L-TYPE BORDER + END COVER
D	(2) L-TYPE BORDER + END COVER

Standard Component



Border Component

